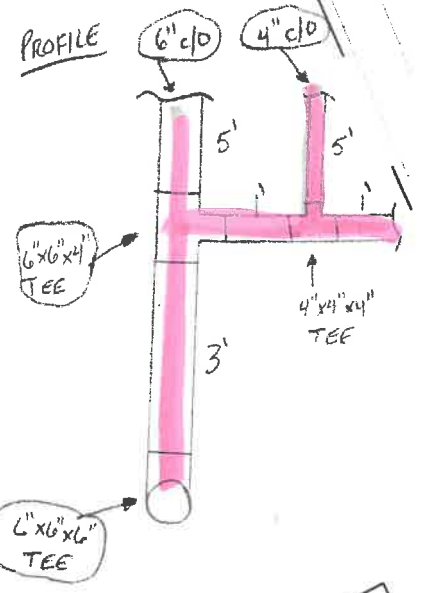


DATE: 4-24-08
INSTALLED BY: BOB CORDES
INSPECTED BY: MARTY CROSSLAND
1"=20'

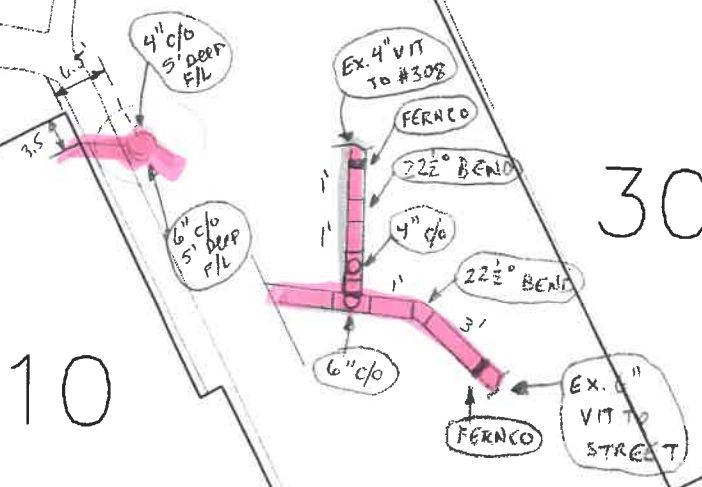


308

304

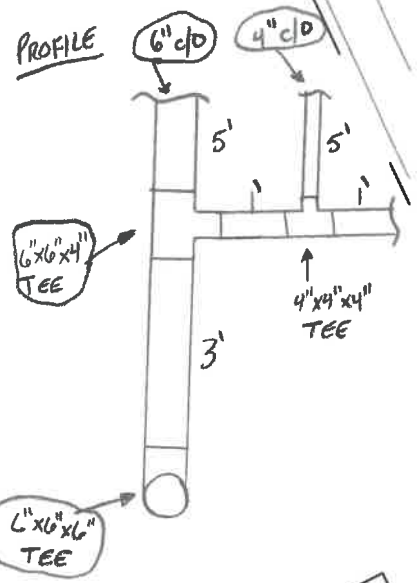
310

316



W. MAIN ST.

DATE: 4-24-08
INSTALLED BY: BOB CORDES
INSPECTED BY: MARTY CROSSLAND
1"=20'

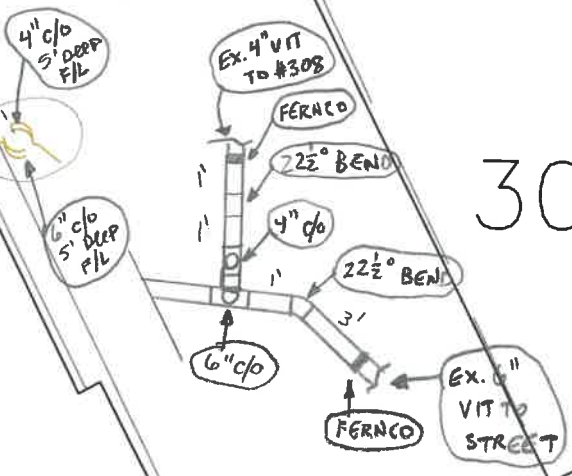


308

304

310

316



6" W.M. (C.I.F)

W. MAIN ST.